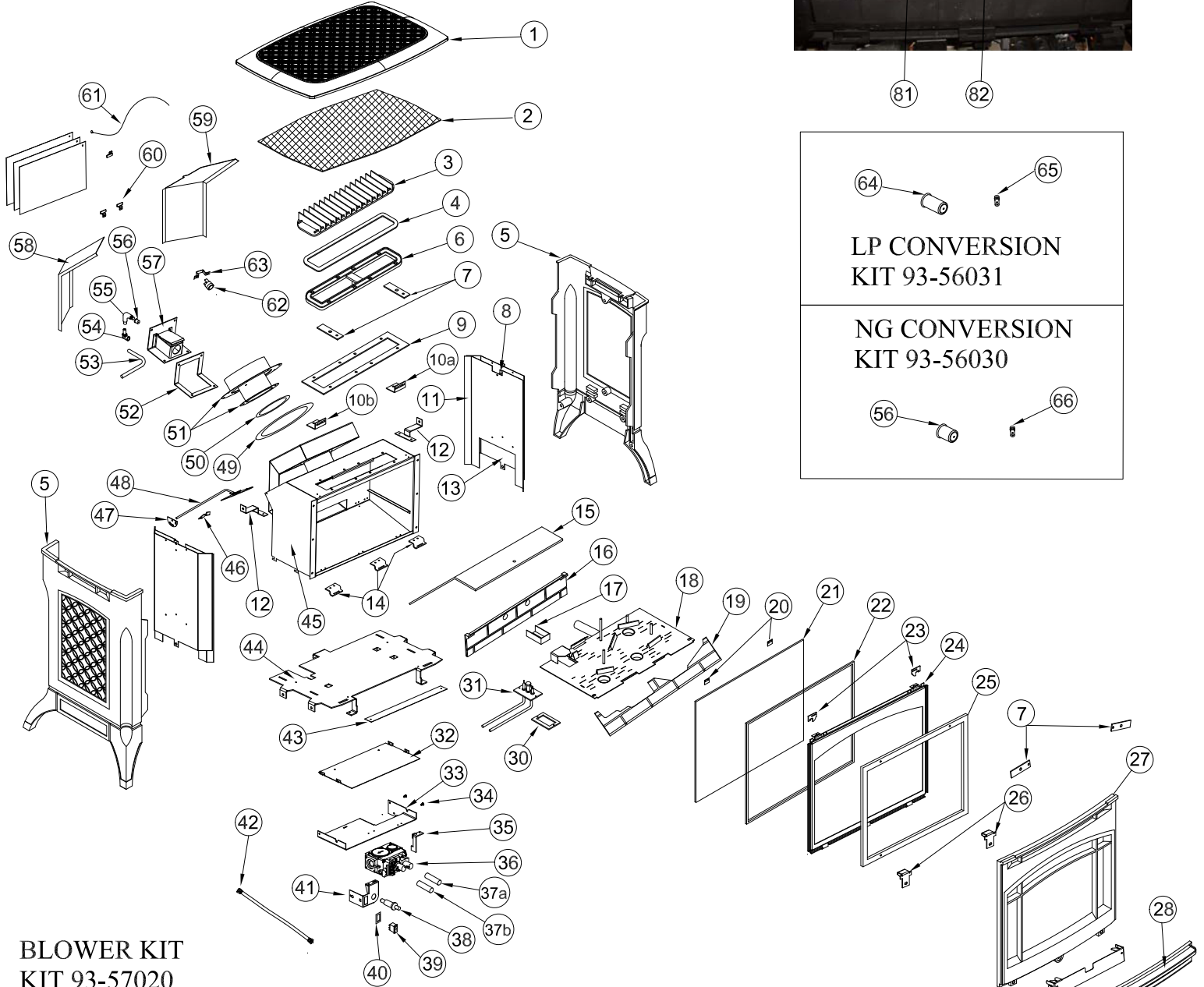
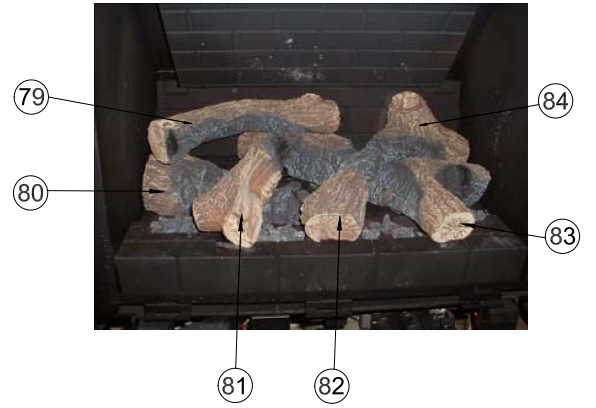
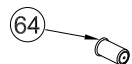
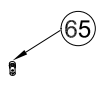

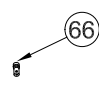


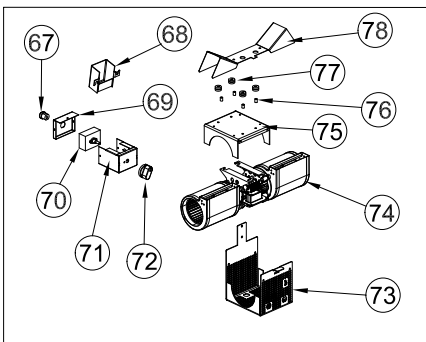
Model: Champlain 8303
 Illustrated Parts List
 Revision: October 11, 2016

LOG SET 93-66020



	
LP CONVERSION KIT 93-56031	
	
NG CONVERSION KIT 93-56030	

**BLOWER KIT
 KIT 93-57020**





Model: Champlain Model# 8303

Production: Aug-16

Serial #: 50000 -

Note: Specify color for enameled cast iron parts.

Key	Part #	Description	QTY.
1	2310-040	TOP: MATTE, CHA 2	1
2	5302-245	SCREEN: TOP, CHA 2	1
3	2310-860	HEAT EXCHANGER: CHA/STO/TUC DV/SAN	1
4	3160-070	GASKET:TAPE 5/8" X 1/4"(G100RPB11-05-SP)	2.83 FT
5	2310-340	SIDE: MATTE,CHA	2
6	2310-850	HEAT EXCHANGER:BASE,CHA/STO/TUC DV/SAN	1
7	5302-118	LIMITER: BLAST,CHA 2	4
8	5323-032	SPACER: HEATSHIELD, SIDE, STO 3	4
9	3160-150	GASKET:HEAT EX,4"x14.5	1
10a	5300-106	CLIP: GLASS, TOP, RIGHT, CHA	1
10b	5300-104	CLIP: GLASS, TOP, LEFT, CHA	1
11	5302-031	HEATSHIELD: SIDE, INNER, CHA 2	2
12	5302-235	BRACKET: TOP SIDE, CHA 2	2
13	5300-030	HEATSHIELD: SIDE, OUTER, CHA	2
14	5300-102	CLIP: GLASS, BOTTOM, CHA	3
15	2310-240	BAFFLE: FIREBOX, CHA 1/SAN 1 DV	1
16	2310-015	PANEL: "BRICK", REAR, CHA 1/SAN 1 DV	1
17	5301-035	SHIELD: PILOT, CHA 1/SAN 1 DV	1
18	7211-221	BURNER: CHA 1/SAN 1 DV	1
19	2310-020	PANEL: "BRICK", FRONT, CHA 1/SAN 1 DV	1
20	5870-095	CLIP: GLASS, BLACK OXIDE, CHA/STO/DVI 32,	2
21	3030-036	GLASS:14-7/32"x18-35/64"x5mm, CHA(EZ-O	1
22	3110-071	GASKET: TAPE, 1"x1/8", AD (988'/SPOO	5.66 FT
23	5870-092	CLIP: FRAME, GLASS RET. B.O., CHA/STO/DVI	2
24	5300-108	FRAME: GLASS RETAINER, CHA	1
25	5302-030	SCREEN: SAFETY, FRONT GLASS, CHA 2	1
26	5302-025	BRACKET: FRONT CAST, CHA 2	2
27	2310-440	FRONT: MATTE, CHA	1
28	2310-442	DOOR: ASH LIP, MATTE, CHA	1
29	5302-020	BRACKET: ASH LIP, CHA 2	1
30	3160-152	GASKET: PILOT, 1.75"x3"	1
31	7211-370	BURNER: PILOT, CON TOP, 3-WAY, NG, #199.724	1
32	5323-020	HEATSHIELD: BOTTOM, STO, CHA, BRI, WAI	1
33	5324-010	BRACKET: SIT VALVE MOUNT, STO, CHA	1
34	4500-3434	SCREW: MACH, 8-32x3/8", HEX/FL, "F", BLK OX	6
35	5303-015	BRACKET: SIT VALVE STOP, CHA	1
36	7211-320	VALVE: GAS, UNIVERSAL, 50% TD, SIT(0820.844)	1
37a	7211-401	KNOB: EXT, 2-1/2", ON/OFF/PIL, SIT(0916188)	1
37b	7211-402	KNOB: EXT, 2-1/2", HI/LO, SIT (0916189)	1
38	90-99020	IGNITOR: MILLIVOLT(#1244-61&1364-03)KIT W/NUT	1
39	7000-200	SWITCH: 3-WAY, ON/OFF/T'STAT, GOLD CONTACT	1
40	3300-334	LABEL: ON/OFF/T'STAT, CHA/STO/STG/TUC/SAN	1
41	5300-066	BRACKET: PIEZO&SWITCH, ON/OFF, CHA/STO/SAN	1
42	7000-031	HARNES: WIRE, ON/OFF, CHA/SAN	1
43	5302-018	BLINDER STRIP, CHA 2	1
44	5302-015	BASE: CHA 2, STEEL	1
45	5302-010	FIREBOX: CHA 2	1
46	5301-080	CLIP: RESTRICTOR, CHA 1/SAN 1 DV	1

Champlain 8303 (cont.)

p.2

Key	Part #	Description	QTY.
47	5301-070	INDICATOR: RESTRICT PLATE,CHA 1/SAN 1 DV	1
48	5301-060	PLATE: RESTRICTOR,CHA 1/SAN 1 DV	1
49	3160-157	GASKET: INLET,6-1/2"x9-5/16",CHA/STO/	1
50	3160-155	GASKET: EXIT,4"x6",STO/TUC DV/TRI DV/	1
51	5701-925H	COLLAR: INLET/EXIT,4"x5-1/8",TRIBUTE/CHA	1
52	3160-300	GASKET: AIR CONTROL,CHA/STO/TUC&SAN DV	1
53	7211-018	TUBE:GAS,FLEX,3/8"x12",321/78/05(T6-1	1
54	7211-020	FITTING: 90deg,ELBOW,3/8-27Mx3/8"CMP	1
55	5300-104	CLIP: GLASS,TOP,LEFT,CHA	1
56	7200-331	ORIFICE: BURNER,SPUD,#31 (24-074S-31)	1
57	5301-030	CONTROL: AIR,PRIMARY,CHA/STO/TUC&SAN DV	1
58	5302-040	HEATSHIELD: REAR, LEFT, CHA 2	1
59	5302-050	HEATSHIELD: REAR, RIGHT, CHA 2	1
60	5021-060	CLIP: GLASS,HER 1/TRI	3
61	5570-030	CABLE: LABEL,1/16"Dx12",2 EYES,HOM/DV	1
62	7000-301	SWITCH: T'STAT,BLOWER,TUC 1/WIN/DVI 32	1
62	7200-350	ORIFICE: BURNER,SPUD,#50 (24-074S-50)	1
63	5870-022	STRAP: T'STAT SWITCH,DVI 32/TUC 1 DV	1
66	7211-163	ORIFICE: PILOT,NG,.62mm,CONVERT TOP,SIT	1
93-56031	LP CONVERSION KIT (Contains the Following)		
64	7200-350	ORIFICE: BURNER,SPUD,#50 (24-074S-50)	1
65	7211-136	ORIFICE: PILOT,LP,.35mm,CONVERT TOP,SIT	1
93-56030	NG CONVERSION KIT (Contains the Following)		
56	7200-331	ORIFICE: BURNER,SPUD,#31 (24-074S-31)	1
66	7211-163	ORIFICE: PILOT,NG,.62mm,CONVERT TOP,SIT	1
93-66020	LOG SET: 6 PIECE, CHA (Contains the Following)		
79	7211-605	REAR LOG TOP	1
80	7211-604	BOTTOM LEFT LOG	1
81	7211-606	FRONT TOP LOG	1
82	7211-603	FRONT CENTER LOG	1
83	7211-601	BOTTOM RIGHT LOG	1
84	7211-602	REAR RIGHT LOG	1
93-57020	BLOWER KIT: CHA2 (8302), CHA3 (8303) (Contains the Following)		
67	7200-114	STRAIN RELIEF: 6N3-4 (#1200)	1
68	5970-110	SHIELD: T'STAT,TUC 1 DV	1
69	5950-761	COVER: RHEOSTAT BOX,BLOWER,SAN	1
70	7200-601	CONTROL: MOTOR,AC,VARIABLE SPEED,BLOWERS	1
71	5950-760	BOX: RHEOSTAT,BLOWER,SAN	1
72	7200-602	KNOB: FAN CONTROL	1
73	5930-205	HOUSING: BLOWER,LOWER,CHA 2	1
74	7211-600	FAN: BLOWER,ASSY, TUC 2,CHA 2,STO 3	1
75	5932-315	HOUSING: BLOWER, UPPER, STO 3	1
76	5491-090	BUSHING:3/16IDx.375 (MCMMASTER 93441A175)	4
77	7000-130	GROMMET:SIL.45"PANLX.25"ID,M-633,EQU	4
78	5930-210	DEFLECTOR: BLOWER,AIR,CHA 2	1